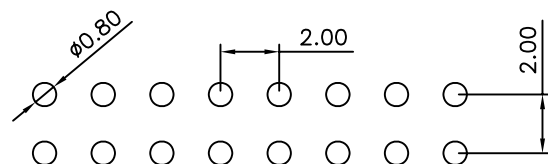
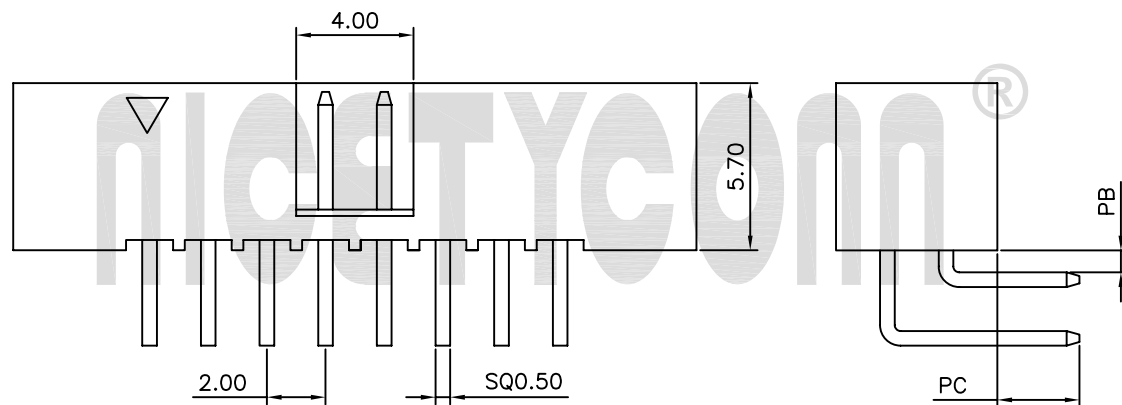
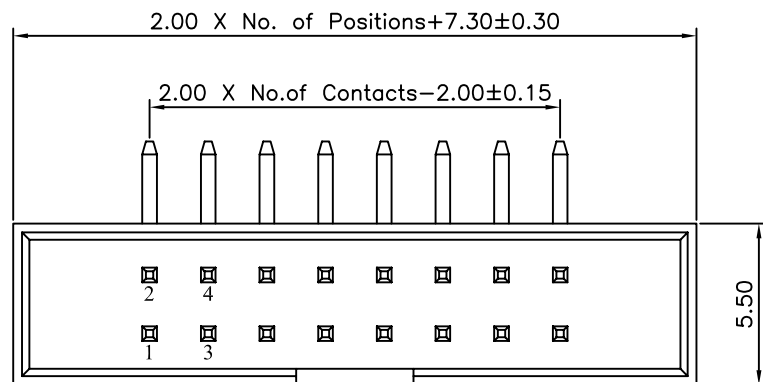


4

3

2

1



P.C.B LAYOUT

REVISION DATA

REV	DESCRIPTION	DATE
A0	NEW DRAWING	2014-10-08

Technical Data

Material:

Contact Material: Brass

Contact plating: Au or Sn Over 50μ" Ni

Insulator Material: Black Polyester UL94V-0

Standard: PA6T+30%G.F

Electrical:

Current rating: 2.0Amps/contact max.

Contact resistance: ≤20mΩ/contact

Insulation resistance: ≥1000MΩ at V=100V

Withstanding Voltage: 1000V AC/minute

Mechanical:

Mechanical life cycle: min.200

Operating temperature: -40°C to +105°C

Soldering temperature: +255°C

Salt spray test time: 48H

Dimension antitheses list (尺寸选型表)

Item (项目)	L	PC	PB
Standard (尺寸)			
Remarks (备注)	以上尺寸可由客户选择		

JN	2	XX	R	XX	C	N	XXX
品名 JN=简牛	间距 2=2.00	PIN位总数 06~50P	产品折弯类型 R=90度折弯	表面处理 SN=Tin120u" MT=镀雾锡 GF=Gold Flash G1=Gold 1u" G2=Gold 2u" G3=Gold 3u" G4=Gold 5u" G5=Gold 8u" G6=Gold 10u" G7=Gold 15u" G8=Gold 30u" GA=Gold1.5u" S0=半金锡	塑胶材质 C=PA6T	塑胶特性 N=常规	针长

NICETYCOMM®

深圳市创辉诚科技有限公司

SHENZHEN CHUANGHUICHENG TECHNOLOGY CO.,LTD

TOLERANCE	PROJECTON	TITLE:
ANGLE ±5°	DATE : 2014-10-08	双排90度简牛 PH2.0 H5.7 系列图
X.XXX ±0.10	DRAWN :	PART NO: JN2XXRXXCNXXX
X.XX ±0.20	CHECKED :	DRAWING NO: JN2RXXX005
X.X ±0.30	APPROVED :	REV: A0 UNIT: mm SCALE: 4:1 SIZE: A4
X. ±0.50		

4

3

2

1