

4

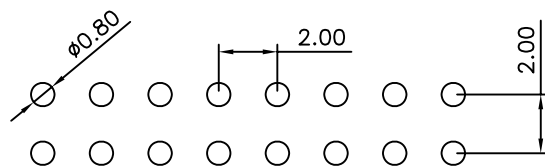
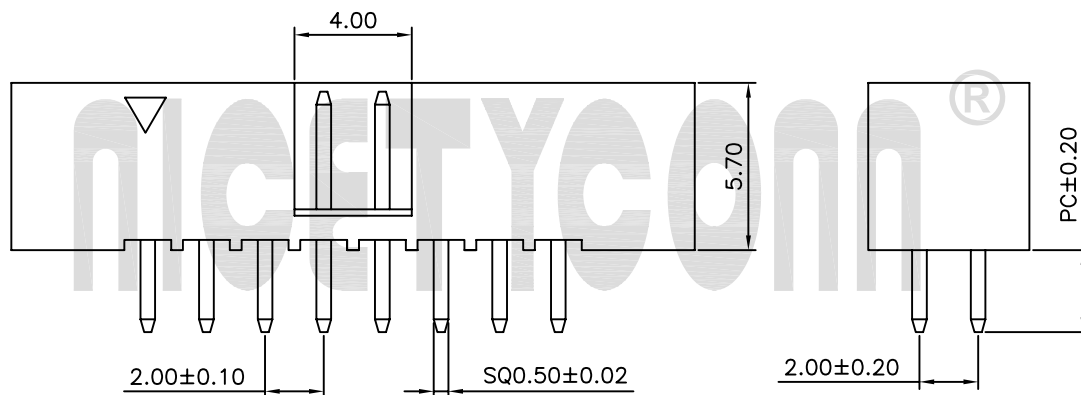
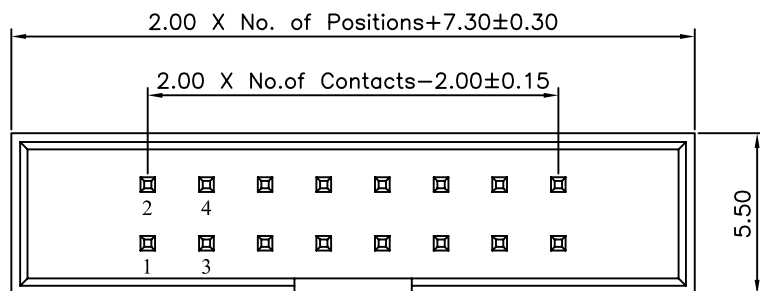
3

2

1

## REVISION DATA

| REV | DESCRIPTION | DATE       |
|-----|-------------|------------|
| A0  | NEW DRAWING | 2011-06-21 |



P.C.B LAYOUT

## Technical Data

## Material:

Contact Material: Brass

Contact plating: Au or Sn Over 50μ" Ni

Insulator Material: Black Polyester UL94V-0

Standard: PA6T+30%G.F

## Electrical:

Current rating: 2.0Amps/contact max.

Contact resistance: ≤20mΩ/contact

Insulation resistance: ≥1000MΩ at V=100V

Withstanding Voltage: 1000V AC/minute

## Mechanical:

Mechanical life cycle: min.200

Operating temperature: -40°C to +105°C

Soldering temperature: +255°C

## Dimension antitheses list (尺寸选型表)

| Item (项目)     | L          | PC |
|---------------|------------|----|
| Standard (尺寸) |            |    |
| Remarks (备注)  | 以上尺寸可由客户选择 |    |

| JN          | 2            | XX               | D              | XX   | X                       | N            | XXX |
|-------------|--------------|------------------|----------------|--|-------------------------|--------------|-----|
| 品名<br>JN=筒牛 | 间距<br>2=2.00 | PIN位总数<br>06~50P | 产品折弯类型<br>D=直插 | 表面处理<br>SN=Tin120u"<br>MT=镀雾锡<br>GF=Gold Flash<br>G1=Gold 1u"<br>G2=Gold 2u"<br>G3=Gold 3u"<br>G4=Gold 5u"<br>G5=Gold 8u"<br>G6=Gold 10u"<br>G7=Gold 15u"<br>G8=Gold 30u"<br>GA=Gold 1.5u"<br>S0=半金锡 | 塑胶材质<br>A=PBT<br>C=PA6T | 塑胶特性<br>N=常规 | 针长  |

**nicetycomm®** 深圳市创辉诚科技有限公司  
SHENZHEN CHUANGHUICHENG TECHNOLOGY CO.,LTD

| TOLERANCE   | PROJECTON         | TITLE:                               |
|-------------|-------------------|--------------------------------------|
| ANGLE ±5°   | DATE : 2011-06-21 | 双排180度筒牛 PH2.0 H5.7 系列图              |
| X.XXX ±0.10 | DRAWN :           | PART NO: JN2XXDXXXNXXX               |
| X.XX ±0.20  | CHECKED :         | DRAWING NO: JN2DXXX006               |
| X.X ±0.30   | APPROVED :        | REV: A0 UNIT: mm SCALE: 4:1 SIZE: A4 |
| X. ±0.50    |                   |                                      |

4

3

2

1