

4

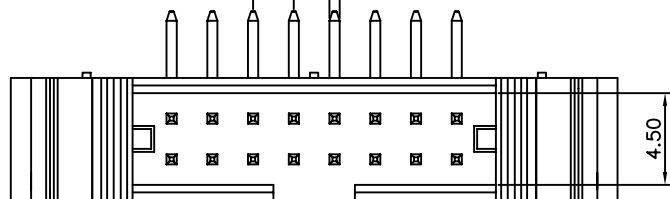
3

2

1

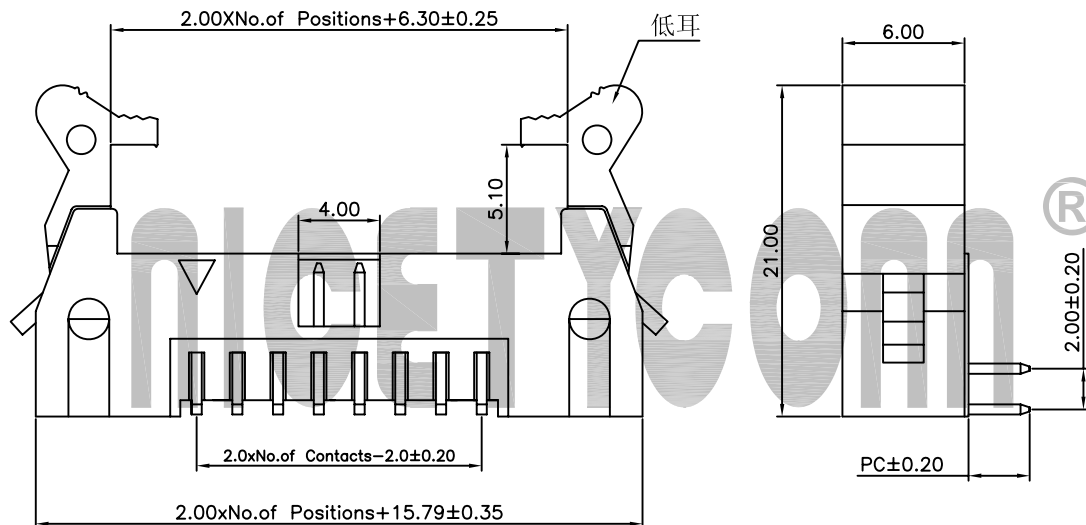
2.00±0.10

0.50±0.02

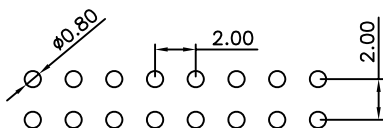


2.00xNo.of Positions+6.30±0.25

低耳



2.0xNo.of Contacts-2.0±0.20



P.C.B LAYOUT

NJ

2

XX

R

XX

C

X

XXX

品名
NJ=牛角间距
2=2.00PIN位总数
06~50P产品折弯类型
R=90度折弯

表面处理
SN=Tin120u"
MT=镀雾锡
GF=Gold Flash
G1=Gold 1u"
G2=Gold 2u"
G3=Gold 3u"
G4=Gold 5u"
G5=Gold 8u"
G6=Gold 10u"
G7=Gold 15u"
G8=Gold 30u"
GA=Gold 1.5u"
S0=半金锡

塑胶材质
C=PA6T塑胶特性
D=低耳
G=高耳

针长

REVISION DATA

REV	DESCRIPTION	DATE
A0	NEW DRAWING	2014-08-18

Technical Data

Material:

Contact Material: Brass

Contact plating: Au0.8u" or Sn Over 50μ" Ni

Insulator Material: Black Polyester UL94V-0

Standard: PA6T+30%G.F

Electrical:

Current rating: 2.0Amps/contact max.

Contact resistance: ≤20mΩ/contact

Insulation resistance: ≥1000MΩ at V=100V

Withstanding Voltage: 1000V AC/minute

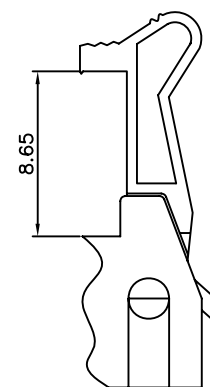
Mechanical:

Mechanical life cycle: min.200

Operating temperature: -40°C to +105°C

Soldering temperature: +255°C

Salt spray test time: 12H



高耳

Dimension antitheses list (尺寸选型表)

Item (项目)	L	PC
Standard (尺寸)		
Remarks (备注)	以上尺寸可由客户选择	

NICETYCOMM®

深圳市创辉诚科技有限公司

SHENZHEN CHUANGHUICHENG TECHNOLOGY CO.,LTD

TOLERANCE

ANGLE ±5°

X.XXX ±0.10

X.XX ±0.20

X.X ±0.30

X. ±0.50

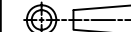
PROJECTON

DATE :

DRAWN :

CHECKED :

APPROVED :



TITLE:

双排90度牛角 PH2.0 系列图

PART NO: NJ2XXRXXCXXXX

DRAWING NO: NJ2RXX005

REV: A0

UNIT: mm

SCALE: 4:1

SIZE: A4

4

3

2

1

D

D

C

C

B

B

A

A