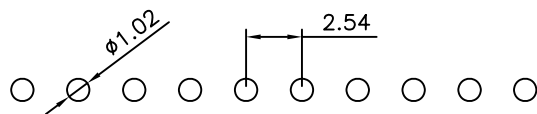
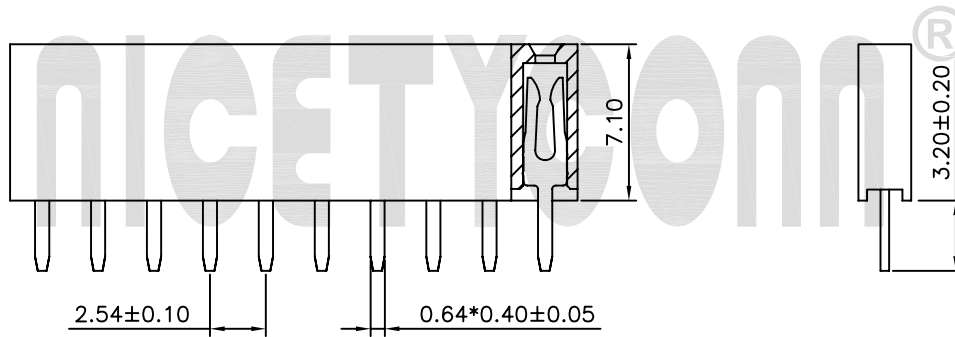
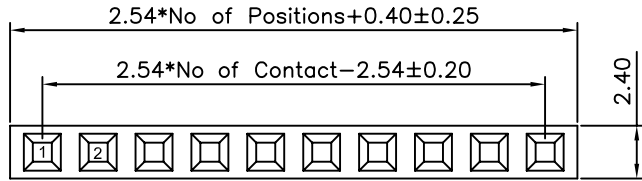


REVISION DATA		
REV	DESCRIPTION	DATE
A0	NEW DRAWING	2011-11-23



P.C.B LAYOUT

Technical Data

Material:

Contact Material: Brass

Contact plating: Au1u" Over 50μ" Ni

Insulator Material: Black Polyester UL94V-0

Standard: PBT+30%G.F

Electrical:

Current rating: 3.0Amps/contact max.

Contact resistance: ≤20mΩ/contact

Insulation resistance: ≥1000MΩ at V=100V

Withstanding Voltage: 1000V AC/minute

Mechanical:

Mechanical life cycle: min.200

Operating temperature: -40°C to +105°C

Soldering temperature: +255°C

PM	1	71	11	XXX	D	XX	X	N	Y	032
P/N PM=Female Header	Pitch 1=2.54	H 71=7.1mm	Product Type 11= Single Housing single Row	Pins 02~40P	Right Angle Type D=DIP	Surface Plating SN Tin100u" GF Gold Flash G1 Gold 1u" G2 Gold 2u" G3 Gold 3u" G4 Gold 5u" G5 Gold 8u" G6 Gold 10u" G7 Gold 15u" G8 Gold 30u"	Housing Material A=PBT C=PA6T	Housing Type N= Normal	Terminal Type Y=Y Type	Terminal PC/ PW

NICETYCONN[®]

SHENZHEN CHUANG HUI CHENG TECHNOLOGY CO., LTD.

Tel: +86-755-27164749 Http://www.nicityconn.com

TOLERANCE	PROJECTON		TITLE:
ANGLE ±5°	DATE :	2011-11-23	PH 2.54 Female Header Y Type H 7.1 PC 3.2 single Row
X.XXX ±0.10	DRAWN :		PART NO: PM17111XXXDXXXNY032
X.XX ±0.20	CHECKED :		DRAWING NO: PM17111DY016
X.X ±0.30	APPROVED :		REV: A0 UNIT: mm SCALE: 3:1 SIZE: A4
X. ±0.50			